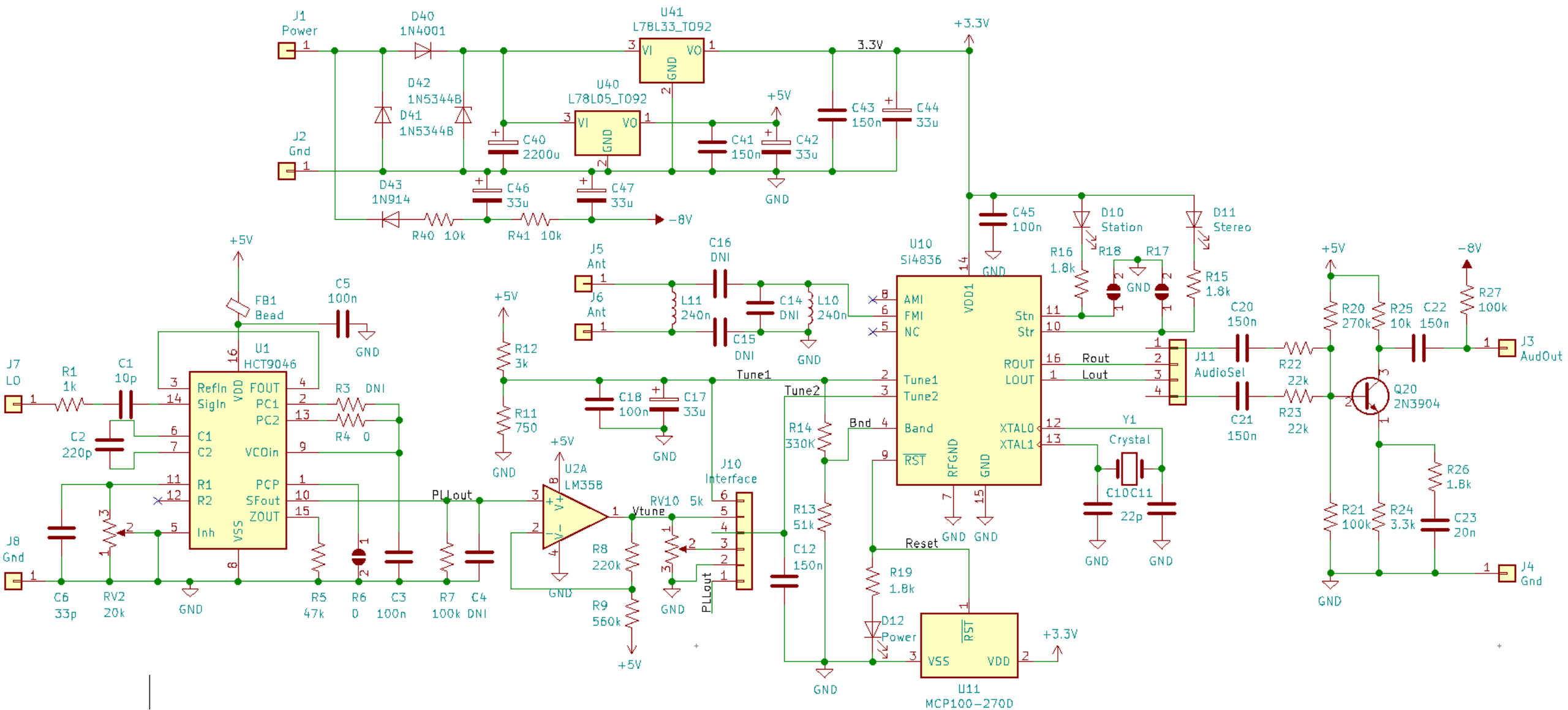


# FMC Schematic Version 1

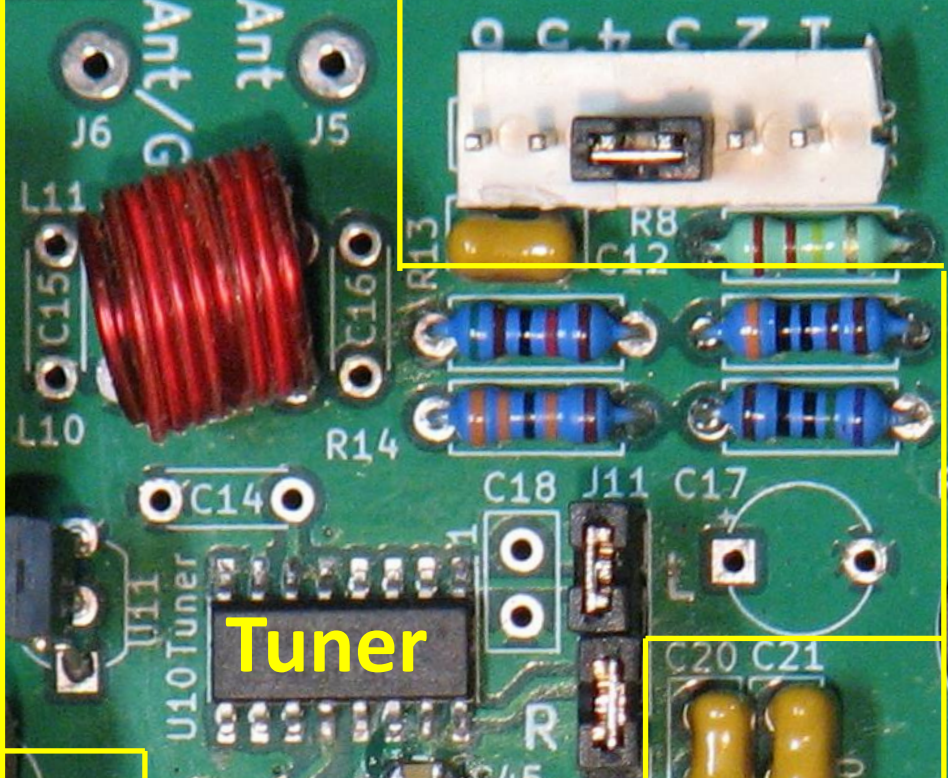
Febtuary 2025



Power Supply



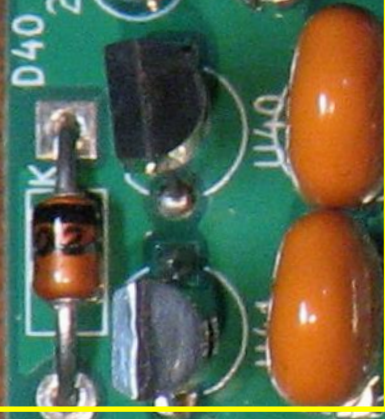
Tuner



Level Shifter



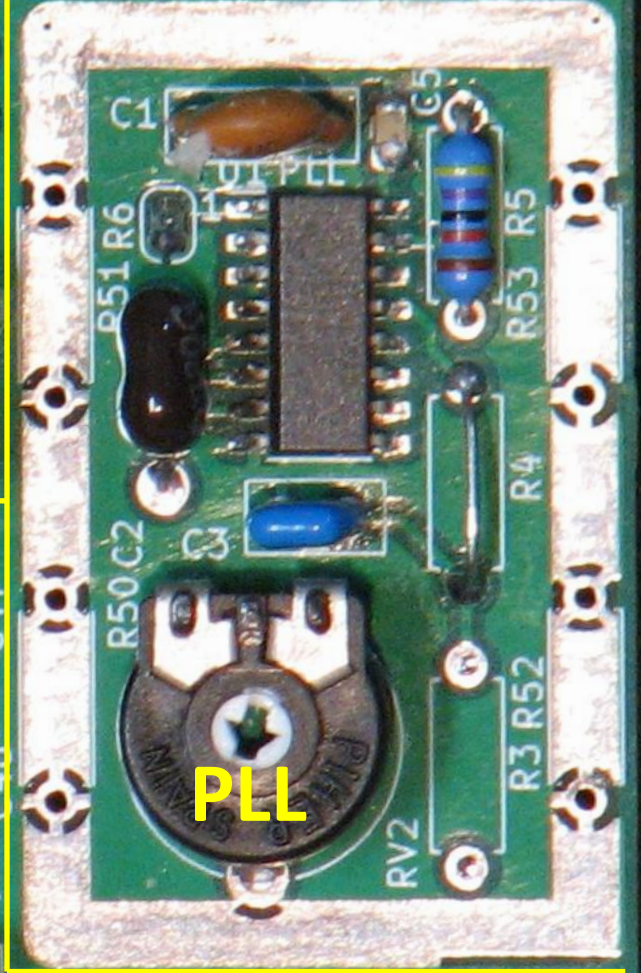
Protection



Audio Amp & -ve supply



PLL



LEDs

